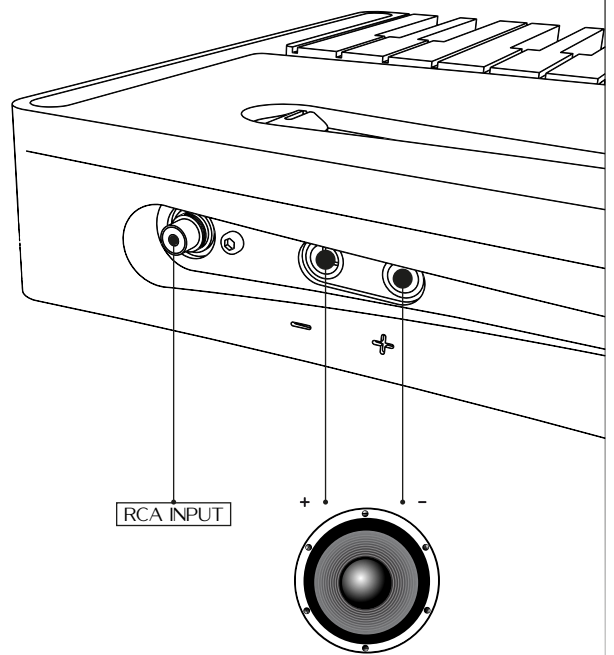


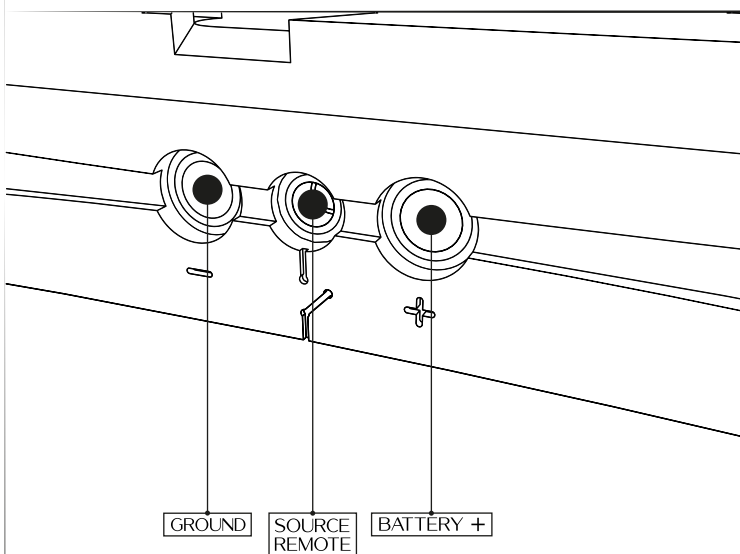
QUARTORIGO OPUS

SPECIFICATIONS

POWER SUPPLY	10-14VCC
STANDBY CURRENT	>6A
INPUT SENSIVITY	0.4-8V
INPUT IMPEDANCE	48K Ω
OUTPUT STEREO HD 4 Ω	100W-2
OUTPUT STEREO HD 2 Ω	190W-2
OUTPUT MONO HD 4 Ω	380W-1
OUTPUT MONO HD 2 Ω	595W-1
FREQUENCY RESPONSE	8HZ-50.000HZ
SIGNAL/NOISE RATIO	>100DB
FUSE	40A
DIMENSIONS (W-H-D)	433-238-53MM
WEIGHT	7.7KG

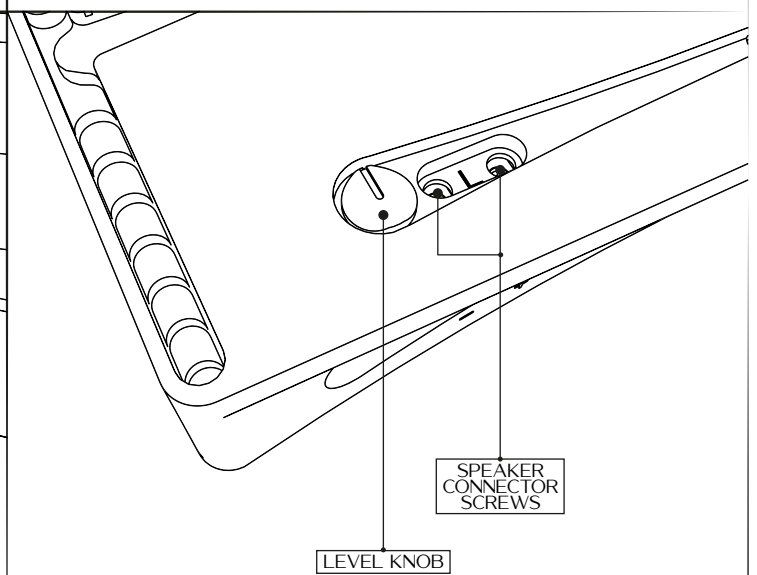


STEREO CONFIGURATION (SAME OTHER CHANNEL)



If the distance from the battery to the device is quite long, then it will be necessary to use thicker cables, in order to avoid any performance loss: we suggest your installer to use at least 6mm² good quality OFC cables.
The REMOTE input must be connected to the remote output of the source, which must provide at least a 60 mA current.

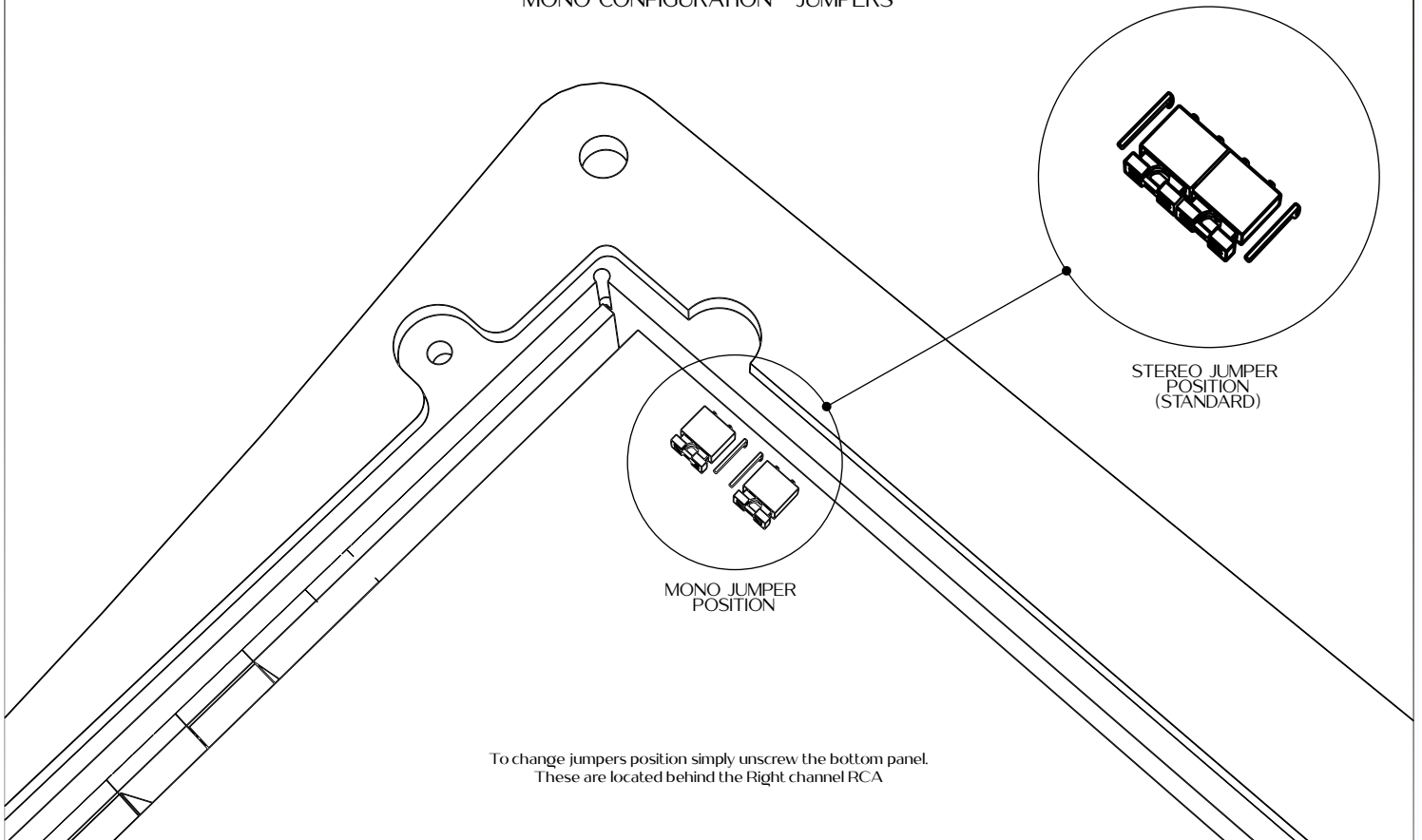
POWER SUPPLY



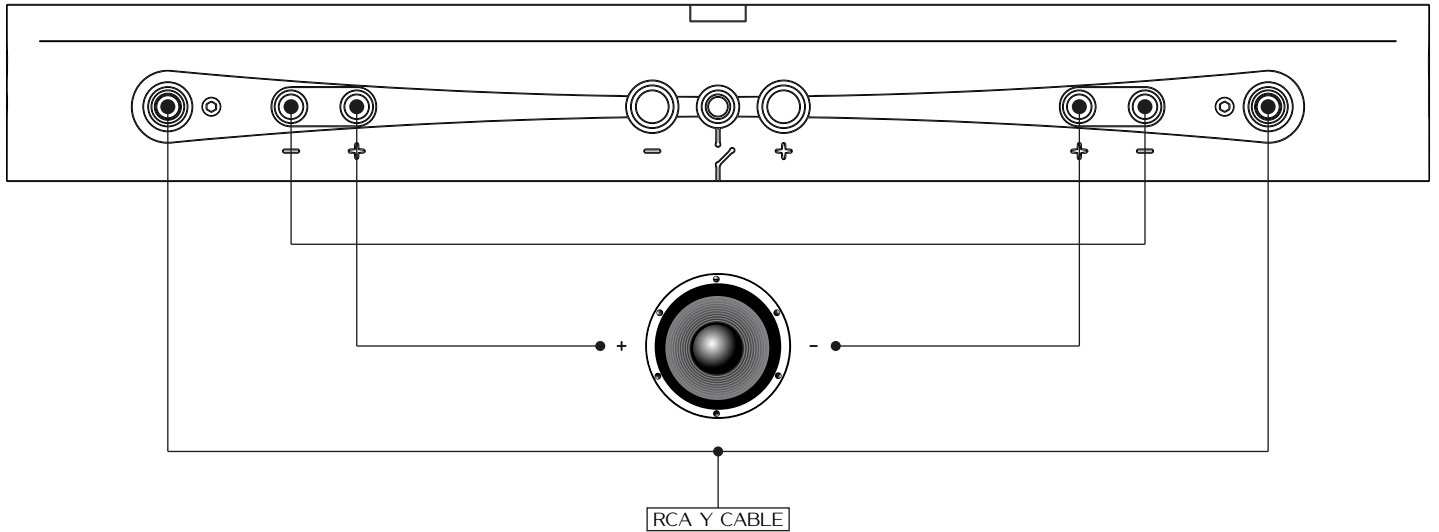
The input load is 48 Kohms, and its sensitivity is adjustable from 400 mV to 10 V; therefore it perfectly matches any source, including those that provide a 10 V pre out. The regulation is achieved rotating the input R & L level knobs.

STEREO CONFIGURATION (SAME OTHER CHANNEL)

MONO CONFIGURATION - JUMPERS



MONO CONFIGURATION - CONNECTIONS



LIGHTS AND PROTECTIONS

When remote signal is present and amplifier turned on, the Quartorigo logo on top of amplifier will turn blue. If it turns red when there is the presence of a technical problem and one of the internal protection has been activated.

This amplifier comes with three protection system to protect at best the amplifier and the connected devices like the speakers.

The thermal protection prevents the amplifier from exceeding 85°C.

In case of over-heating normal operations may continue only after a temperature decrease of 10°C.

The Speaker protection is enabled when a mosfet fails and the Overload protection prevents from a wrong impedance load connected on the output.